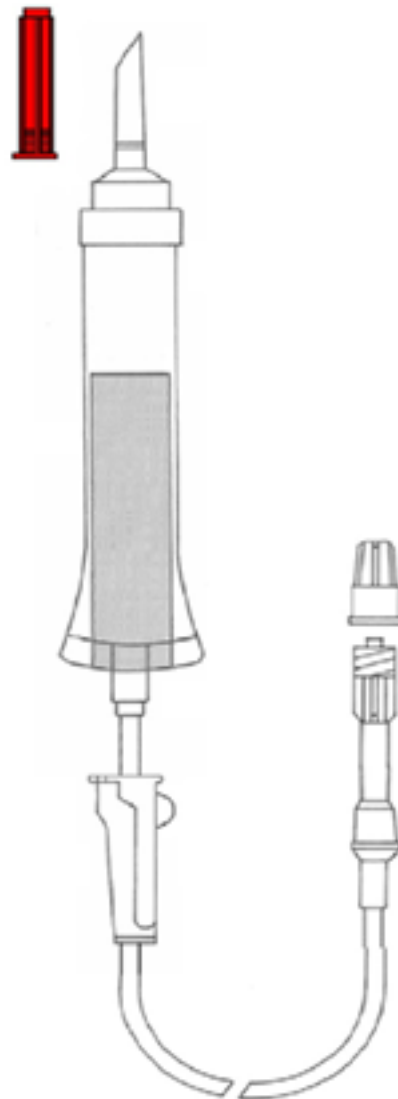




PMH PRODUTOS
MÉDICOS
HOSPITALARES



Standard

**BLOOD ADMINISTRATION
SYSTEM WITH 200M 20CM²
FILTER, 160CM OF TUBE,
INJECTION POINT AND
FIXED LUER LOCK**

201.0249

Descrição técnica

Blood delivery system with 200? M 20cm² filter,
160cm tube, injection point and fixed luer lock

REFERÊNCIA	201.0249
CLASSE	Classe II a
ESTERILIDADE	ESTÉRIL
EAN	5607716002493

A cuidar com excelencia desde 1990

*na investigação e desenvolvimento de produtos médico
hospitalares adaptadas às necessidades dos clientes*

CARACTERÍSTICAS TÉCNICAS

Gravity blood delivery system with:

Cover for punch protection

Single-channel punch for easy punching in bags, placed in the chamber

Phthalate-free PVC chamber, transparent and flexible allowing continuous drip observation

200cm filter of 20cm²

PVC tube free of phthalates and DEHP, transparent, 3.00x4.10mm, 160cm

High-precision flow control ram, a design that allows you to maintain the permeable path, greater adaptability, greater safety, with a safe system for disposal.

Injection point for latex-free rubber needle

Luer lock male fixed

Protective cover luer lock

INFORMAÇÕES ADICIONAIS

COMPOSIÇÃO

ABS, LDPE, PVC, PA, POLISOPRENE
FREE FROM DEHP AND PHALATES
LATEX FREE

CARACTERÍSTICAS DA CAIXA

CONSERVAÇÃO

TEMPERATURE BETWEEN 0 ° C AND + 40 ° C

CARACTERÍSTICAS DA EMBALAGEM

UNIT PACKAGING IN PEEL PACK, STERILE-ETO, EASY TO OPEN, WITH INDICATION OF THE PRODUCT REFERENCE, MANUFACTURING DATE, BATCH NUMBER, EXPIRY DATE, MARKING CE0086, INSTRUCTIONS FOR USE AND APPLICABLE SYMBOLOGY

ADVERTÊNCIAS E PRECAUÇÕES

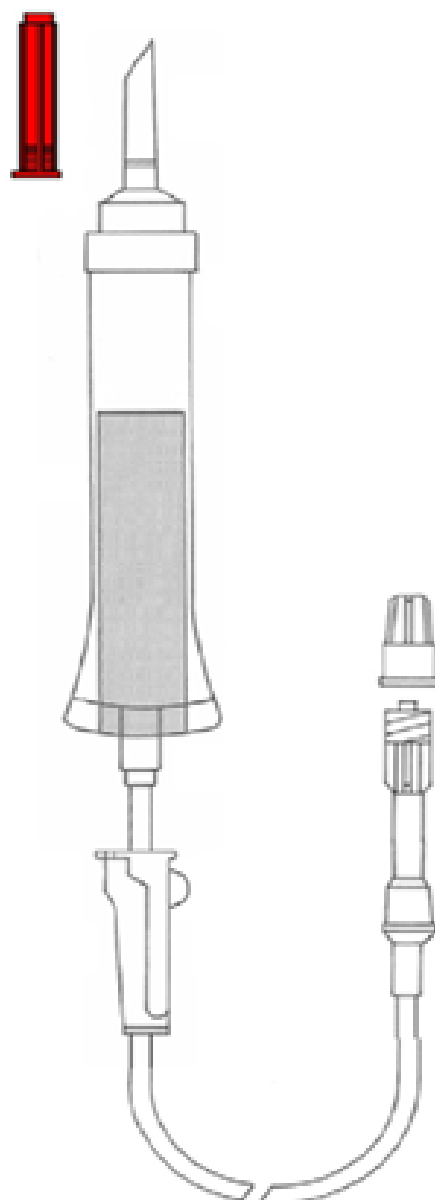
STERILE SINCE NOT OPENED OR DAMAGED. APIROGENIC.
USE ONLY IF THE PROTECTIVE COVERS ARE PLACED

INDICAÇÕES DE USO

ADMINISTERING BLOOD TO A PATIENT FROM A BLOOD BAG

PRAZO DE VALIDADE

5 Anos



WWW.PMH.PT | TL. +351 263 650 680

PMH, SA - PRODUTOS MÉDICO HOSPITALARES
ZONA INDUSTRIAL DA MURTEIRA, RUA GUINÉ BISSAU, LOTE 9
2135-327 SAMORA CORREIA

